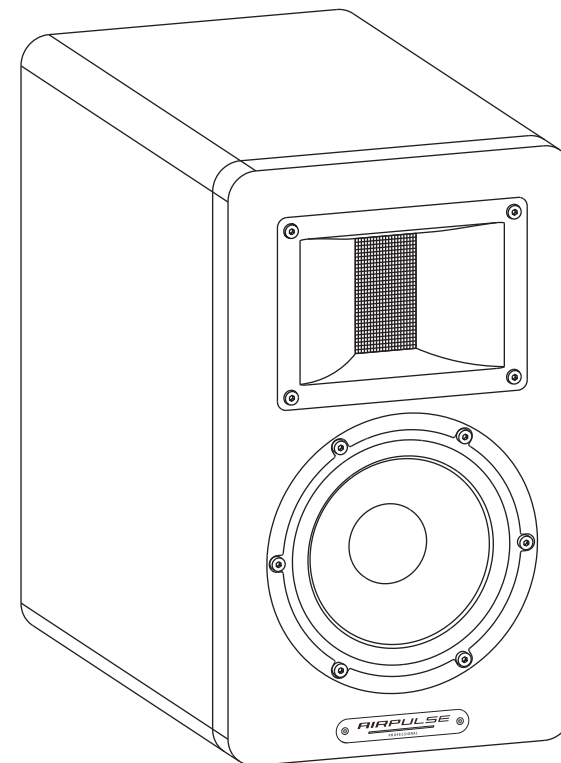


**AIRPULSE**



Dongguan Platinum Audio Systems Co., LTD.

No. 2 East Industry Road, Songshan Lake National High-tech  
Industrial Development Zone, Dongguan 523808 China

[www.airpulseaudio.com](http://www.airpulseaudio.com)

Printed in China

**AIRPULSE SM200**

ACTIVE MONITOR SPEAKER SYSTEM


User manual | Mode d'emploi


## Important safety instruction


Please read the following contents carefully before turning on your equipment; and follow the instructions below. Keep this information around for future reference.

1. Before connecting speakers to power source, please turn off the power switch and make sure the volume is set at minimum level.
2. Please do not place power cable and signal cable near heat source (such as electric heater and radiator). Do not leave cables where they can easily be stepped on or compressed.
3. Use electric outlets that allow power cable be pulled out easily. When speakers are not being used for an extended period of time, please turn off power switch and disconnect power plug.
4. In order to avoid damage from thunder and lightning, turn off power switch and disconnect speaker from power source during a rain storm.
5. Please do not drag power cable when disconnecting from wall socket. Hold power cord firmly at the top to unplug from the wall socket.
6. Use the speakers only within voltage specifications. Using the speakers with voltage higher than specifications is dangerous and can cause equipment damage.
7. These speakers do not include any self serviceable parts. Do not attempt to open the speaker to uninstall any parts or do any type of modifications. If problems occur during use please contact professional technicians only for repair.
8. Please refer to the trouble shooting section in owner's manual for common operation errors and to determine possible malfunction.
9. Please do not place speakers in places where they can be easily hit by falling objects or dropping and splashing liquid. Do not place any lit fire (such as candle) on top of speaker as this may lead to fire hazard.
10. Place speakers in a stable position so they will not easily fall off causing damage and injury.
11. Place speakers in a well ventilated and dry position, far from direct sunlight, heat source, vibration, dust, moist or extremely cold condition. For optimal performance, please leave at least 20 cm distance space around the speaker.
12. Please do not use speaker at maximum volume for an extended period of time, this may cause damage to your hearing.
13. Before moving the speakers, please first turn off power switch and disconnect from power source.
14. When the following symptoms occur, please turn off power switch and disconnect from power source:
  - Power cable or plug is worn or damaged.
  - Abnormal odor or smoke is detected.
  - Small objects falling inside the speaker.
  - Sudden break off while playing music.Consult a professional repair technician to diagnose and repair the speaker.
15. Do not use chemical solvent to clean the surface of speaker. To avoid surface damage, use a clean and soft cloth only.
16. Warning: The speaker is for indoor use only. Do not place it in places that are hot and humid.
17. The product must be used at an altitude of lower than 2000m.
18. The product can be safely used in tropical climate.

## Important safety instruction


 Excessively loud music may lead to hearing loss. Please keep the volume in a safe range.


 Correct Disposal of this product. This marking indicates that this product should not be disposed with other household wastes. To prevent possible harm to the environment or human health from uncontrolled waste disposal, recycle it responsibly to promote the sustainable reuse of material resources. To return your used device, please use the return and collection systems or contact the retailer where the product was purchased. They can take this product for environmental safe recycling.


 Use only with the cart, stand, tripod, bracket, or table specified by the manufacturer, or sold with the apparatus. When a cart is used, use caution when moving the cart/apparatus combination to avoid injury from tip-over.

### Power warning:

1. Place the product near the power outlet for easy use.
2. Before use, make sure that the operating voltage is the same as your local power supply. Correct operating voltage can be found on the product plate.
3. For safety purpose, unplug the product during lightning storms or when unused for extended periods of time.
4. Under normal conditions, the power supply may get hot. Please keep good ventilation in the area and exercise caution.
5. Product nameplate and safety warning labels on the housing or bottom of the product or power adaptor.

 This symbol is to alert the user to the presence of un-insulated dangerous voltage within the product's enclosure that may be of sufficient magnitude to constitute a risk of electric shock to persons.

 This symbol is to warn the user not to disassemble the enclosure of the product and there is no user-replaceable part inside. Take the product to an authorized service center for repair.

 This symbol indicates that the product is for indoor use only.

**WARNING!** The unit is of Class I construction and must be connected to a mains socket outlet with a protective earthing connection. Where the mains plug is used as the disconnect device, the disconnect device shall remain readily operable.


## Catalog

---

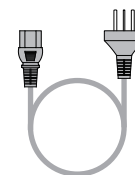
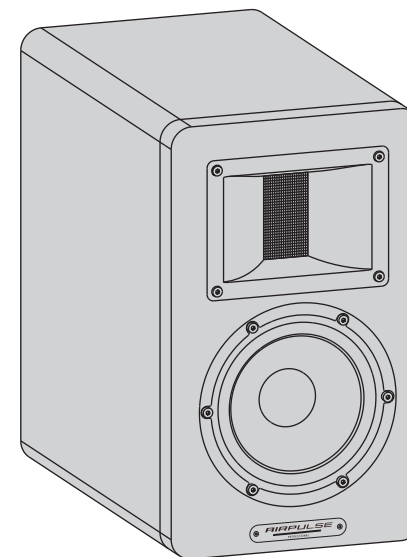
Box contents .....	4
Speaker placement .....	5 - 7
Functional operation .....	8
Speaker adjustment .....	9 - 10
Specifications/statement .....	11

## Box contents

---

 The product packaging box includes the following products and accessories.  
Please check them after unpacking. If there is any discrepancy, please contact us:

- Speaker x1
- Foot pad x5
- Power cable x1
- User manual x1



Power cable x1



User manual x1



Foot pad x5

Note: Images are for illustrative purposes only and may differ from the actual product.

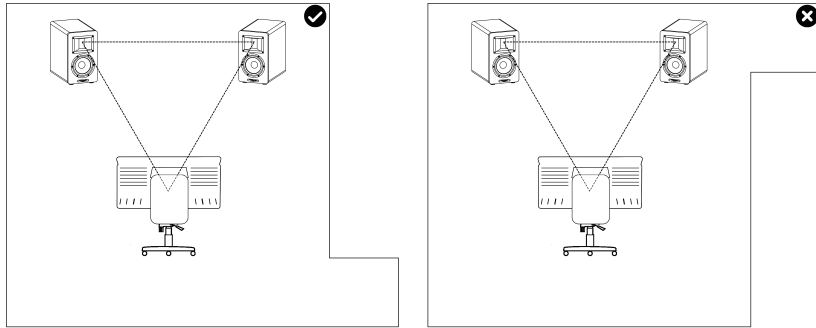
## Speaker placement

The SM200 monitor speaker occupies small spaces and can be placed anywhere in the room. For the optimum acoustic effect, placing the speaker in the best position is recommended.

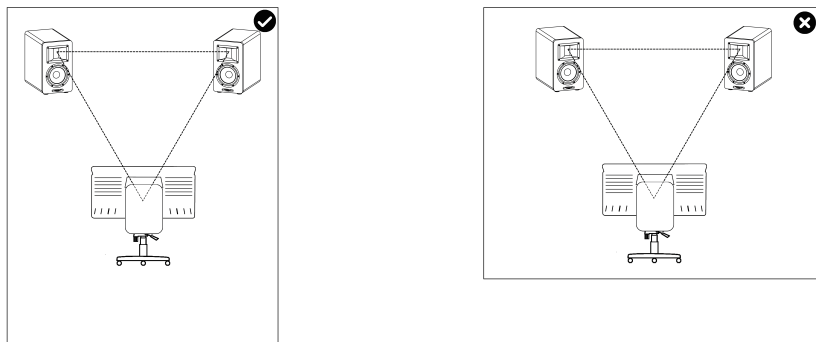
The SM200 speaker with a near-field design should be placed on the speaker bracket, the mixer or the desktop, which is relatively close to the audience. This ensures that the sound directly from the speaker is louder than that reflected from the wall, floor and ceiling.

Place the speaker near the listener and follow the following instructions. The speaker reference for mixing and will not be affected by reverberation, sound pollution and space-caused phase silence.

1. To achieve the most balanced frequency response, place the speaker at the symmetrical end of the placement space if one end of the room is asymmetrical.

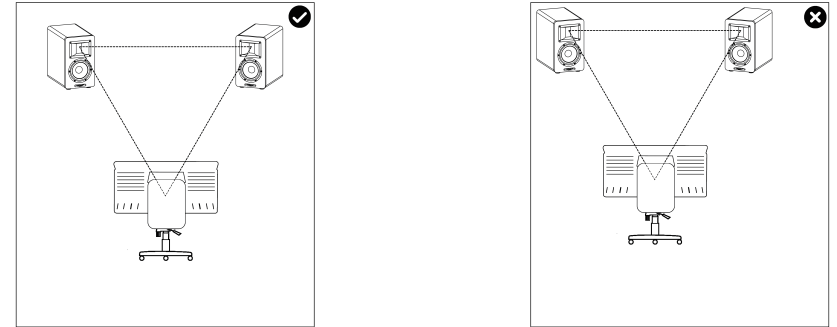


2. When placing the speaker in irregular spaces, keep the back wall as far from the listener as possible to ensure that the sound directly from the speaker is louder than that reflected from the wall. This minimizes sharp sound and prevents changes to the accuracy of the monitor speaker.



## Speaker placement

3. For consistent low-frequency response, place each speaker away from wall corners and symmetrically from boundaries. Ensure the distances between the left speaker and the left wall, the right speaker and the right wall, and the two speakers and the wall behind them are equal. Place each speaker at least 0.5m away from the nearest wall for the smoothest bass response.



4. Ensure there are no obstacles between the speaker and the listener and that the entire speaker is visible to the listener.

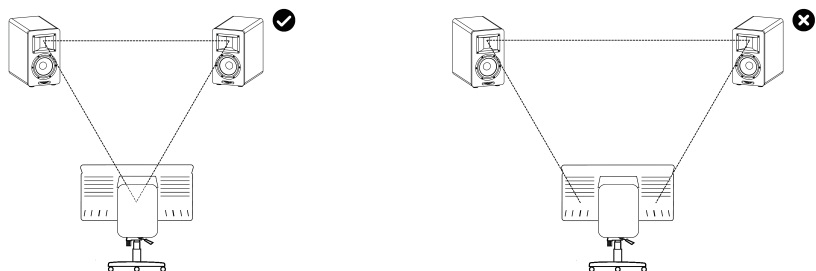


5. The tweeter of the speaker should be placed at the listener's ear level. If the speaker needs to be placed at a significantly higher or lower position, tilt it down or up so that the tweeter is aimed at the listener's ears.

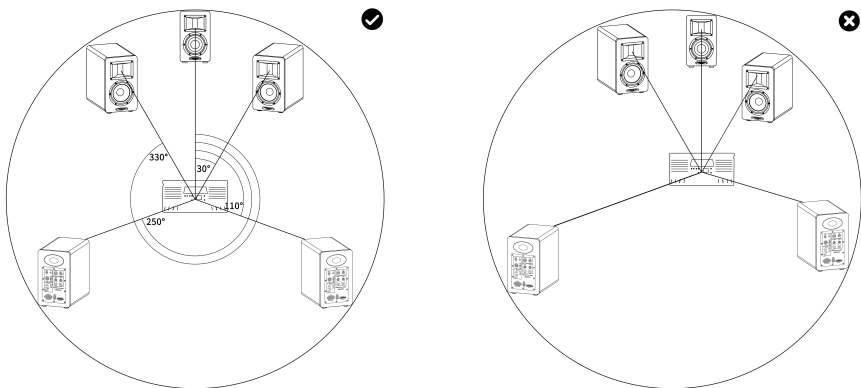


## Speaker placement

6. For the optimum stereo sound effect, the listener should be in the axis of an equilateral triangle formed by the monitor speakers. Meanwhile, the speakers should be adjusted to face the listener.

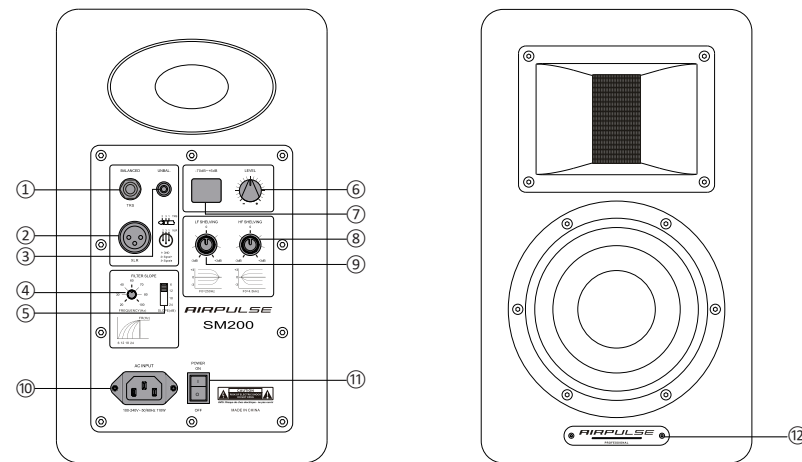


7. For multichannel application, it is recommended to place the monitor speakers in a circle, with the center channel at 0°, the front right channel at 30°, the rear right channel at 110°, the rear left channel at 250°, the front left channel at 330°, and the listener at the center of the circle, making an equal distance between each speaker and the listener.



The SM200 monitor speaker adopts complex mechanical components that require a certain break-in period to perform optimally and adapt to the temperature and humidity conditions of the environment. The break-in period varies by environment and will last up to several weeks. For the first few hours, the speaker should avoid operating at a high volume level. To speed up the break-in process, it is recommended to use intensive low-frequency music and operate it at a medium volume level for about 20 hours. When the performance of the SM200 inverter has stabilized, you can fully enjoy its outstanding performance.

## Functional operation



1. **TRS balanced input port**  
Input balanced audio through the TRS connector.
2. **XLR balanced input port**  
Input balanced audio through the XLR connector.
3. **RCA unbalanced input port**  
Input audio signal through the RCA unbalanced connector.
4. **FILTER: High-pass filter**  
Adjust the start frequency (ranging from 20Hz to 100Hz) of the high-pass filter to match the low-frequency changes caused by different room sizes, or to match the low cut of the subwoofer in the system for better effects.
5. **SLOPE: High-pass filter slope adjustment**  
The two-way cooperation of high-pass filter slope adjustment and the start frequency adjustment can facilitate the perfect connection between the SM200 and the subwoofer in the system.
6. **LEVEL dial/button: input selection/volume control**  
**Level dial/button:** Press to switch between unbalanced and balanced modes;  
**Volume control:** Rotate clockwise to increase volume; rotate counterclockwise to decrease volume; ranging from -70dB to +6dB;  
In most cases, the "0 dB" will be optimal; the +3dB corresponds to an input sensitivity of +4dBu (balanced input mode) and -10dBV (unbalanced input mode).

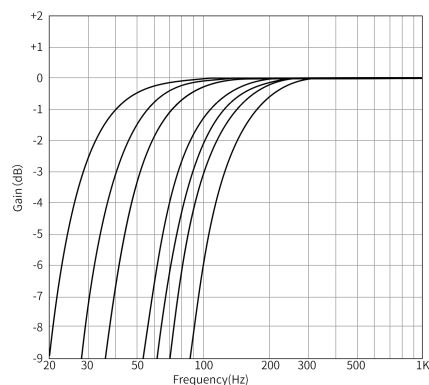
7. **Input mode/volume display window**  
Displays the current input mode and volume level.
8. **HF SHELving high-frequency adjustment**  
The frequency above 4.5kHz can be increased or decreased in the range of +/- 3dB ("0" position is for flat frequency response) to decrease or increase the brightness of the sound to obtain a balanced and mellow voice.
9. **LF SHELving low-frequency adjustment**  
The frequency below 250Hz can be increased or decreased in the range of +/- 3dB ("0" position is for flat frequency response) to correct this frequency level that needs to be increased or decreased due to room and positioning factors.
10. **Power cable connector**  
Connect to plug of power cable.
11. **Power switch**  
Turn on/off speaker power.
12. **Power indicator**  
The indicator lights up when powered on.

## Speaker adjustment

There is a detailed sound trimmer on the rear panel of the SM200 monitor speaker, which can be set based on the room's acoustic characteristics and personal listening habits.

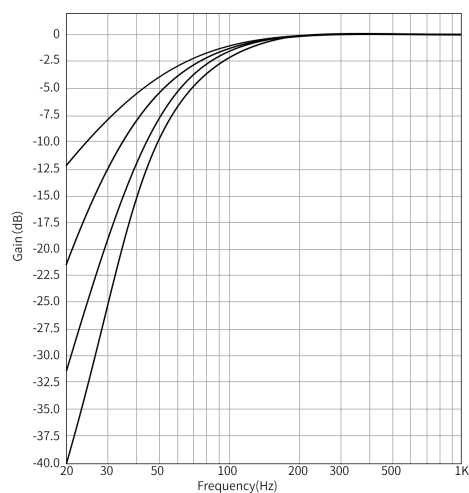
### High-pass filter

Adjust the start frequency (ranging from 20Hz to 100Hz) of the high-pass filter to match the low-frequency changes caused by different room sizes, or to match the low cut of the subwoofer in the system for better effects.



### High-pass filter slope adjustment

With the CROSSOVER settings in the subwoofer, the high-pass start frequency of the SM200 speaker can be adjusted to connect with it, and the high-pass filter slope can be adjusted to avoid degradation of sound quality caused by the V shape or protrusion of the frequency response.



## Speaker adjustment

### LF SHELIVING low-frequency adjustment and HF SHELIVING high-frequency adjustment

The SM200 speaker can increase or decrease the low and high frequencies by +/- 3dB respectively ("0" position is for flat frequency response). If it has been placed in the best position, it can achieve the most balanced sound when the low and high frequencies are adjusted to "0".

### Low-frequency adjustment is required in the following cases

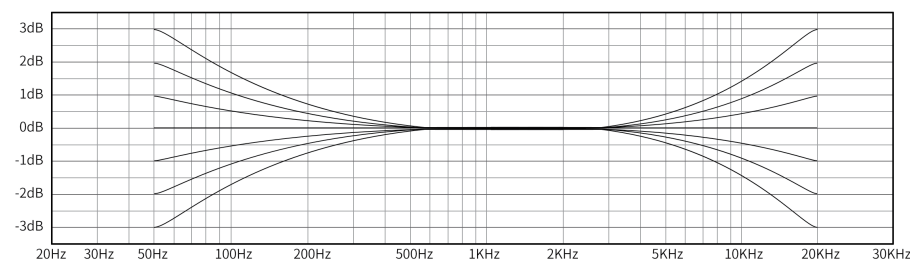
If it's necessary to place the monitor speaker within 0.4m from the wall due to the space layout, adjust it to the "-1/-2/-3 dB" position to balance the naturally amplified low frequency.

If you would like to listen to the monitor speaker in a large bass response, adjust it to the "+1/+2/+3 dB" position.

### High-frequency adjustment is required in the following cases

If the space is composed of a lot of sound-absorbing materials, such as foam or fiberglass wallboard, high-frequency sound may be acoustically attenuated, resulting in a dull sound. In this case, adjust it to the "+1/+2/+3 dB" position to restore high-frequency details.

If the speaker is in a room with particularly active, bright and high-pitched sounds, adjust it to the "-1/-2/-3 dB" position to balance the acoustic effect of the room.



## Specifications/statement

---

### Transducers:

Tweeter: Horn Loaded Ribbon Tweeter featuring High-Gauss neodymium magnet.

Mid-Woofer: "LONG THRO" 5.25 inch Aluminum cone Mid-Woofer

### System:

Frequency response (+/- 3dB): 45Hz - 40kHz

Max.peak SPL at 1M per pair: 104dB SPL

Crossover frequency (Bass/Treble): 2.5kHz

### Amplifier:

2 ways Class D + DSP Amplifier (Bi-Amp)

Power output: 65W for Woofer, 15W for Tweeter

Input level control range: -70dB to +6dB

### Input Sensitivity:

XLR/TRS +4dBu (at 3dB)

RCA -10dBV (at 3dB)

### Inputs:

XLR balanced input 10Kohm

TRS balanced input 10Kohm

RCA unbalanced input 10Kohm

### Adjustment:

Treble trimmer: 4.5kHz shelf filter +/-3dB

Bass trimmer: 250Hz shelf filter +/-3dB

High-pass filter/Slope: 20-100Hz, 3dB-12dB

**Product dimension(W×H×D):** 185×315×318mm

**Product weight:** 8.4kg (18.5 Pounds )

NOTICE: For the need of technical improvement and system upgrade, information contained herein may be subject to change from time to time without prior notice.

## Instructions de sécurité importantes

---

Lisez le contenu suivant avec attention avant d'allumer votre équipement. Respectez les instructions ci-dessous. Conservez ces informations pour référence future.

1. Avant de connecter les enceintes à l'alimentation, éteignez l'interrupteur marche/arrêt et assurez-vous que volume est réglé sur le minimum.
2. Ne placez pas le cordon d'alimentation ni les câbles de signal à proximité d'une source de chaleur (comme un chauffage électrique et un radiateur). Ne faites pas passer les câbles là où on risque de marcher dessus ou de les écraser.
3. Branchez l'appareil sur une prise murale facile d'accès. Lorsque les enceintes ne sont pas utilisées pendant une période prolongée, éteignez l'interrupteur marche/arrêt et débranchez le cordon d'alimentation.
4. Pour éviter les risques de dommages entraînés par l'orage et la foudre, éteignez l'interrupteur marche/arrêt et débranchez l'appareil de la prise murale pendant une tempête.
5. Ne pas tirer sur le cordon d'alimentation pour le débrancher de la prise murale. Tenez la fiche du cordon d'alimentation pour le débrancher de la prise murale.
6. N'utiliser les enceintes que sur une source d'alimentation au voltage correct. Utiliser les enceintes sur un voltage supérieur que les caractéristiques correctes est dangereux et peut entraîner des dommages à l'équipement, un incendie ou des blessures corporelles.
7. Ces enceintes ne comportent aucune pièce remplaçable par l'utilisateur. Ne pas tenter d'ouvrir le haut-parleur pour en retirer une pièce ou y apporter une quelconque modification. En cas de problème, prenez contact avec des techniciens professionnels pour y effectuer des réparations.
8. Consultez la section de dépannage dans le manuel du propriétaire pour en savoir plus sur les problèmes courants et en déterminer l'origine probable.
9. N'installez pas les enceintes dans des lieux de risque possible d'objet, ni à proximité d'une source d'eau risquant de l'éclabousser. Ne pas poser de source de flamme vive (par ex. une bougie) sur l'enceinte, sous risque d'incendie.
10. Positionnez les enceintes sur un emplacement stable depuis lequel elles ne risquent pas de tomber, causant des dommages et des blessures.
11. Positionnez les enceintes dans un lieu correctement ventilé, hors de la lumière directe du soleil, d'une source de chaleur, de vibrations, de poussière, d'humidité, ou de températures extrêmement basses. Pour garantir des performances optimales, ménagez un espace libre de 20 cm sur tout le pourtour de l'enceinte.
12. Ne pas utiliser l'enceinte à volume maximum pendant une durée prolongée, car cela peut entraîner des lésions auditives.
13. Avant de déplacer les enceintes, éteignez-les au niveau de l'interrupteur marche/arrêt et débranchez-les de la prise murale.
14. Dans l'une des situations suivantes, éteignez au niveau de l'interrupteur marche/arrêt et débranchez de la prise murale:
  - Le câble d'alimentation ou la fiche est usé ou endommagé.
  - Odeur anormale ou fumée.
  - Un petit objet est tombé dans l'enceinte.
  - La diffusion de la musique se coupe brutalement.Prenez contact avec un technicien qualifié pour inspecter et réparer l'enceinte.

## Instructions de sécurité importantes

15. Ne pas utiliser de solvant chimique pour nettoyer la surface de l'enceinte. Pour éviter les dommages à la surface, utilisez un chiffon doux et propre seulement.
16. Avertissement: L'enceinte est destinée à un usage intérieur uniquement. Ne pas placer dans un lieu chaud et humide.
17. Le produit est conçu pour être utilisé à une altitude de moins de 2000 mètres.
18. Le produit peut être utilisé en toute sécurité dans un climat tropical.



L'écoute de musique à volume extrême de manière prolongée peut affecter l'audition de l'utilisateur. Veuillez à régler le volume à un niveau adéquat.



Mise au rebut Correcte du produit. Ce symbole indique que ce produit ne doit pas être éliminé avec les autres déchets ménagers. Pour protéger l'environnement et la santé humaine du rejet de déchets incontrôlé, veuillez disposer de cet appareil séparément des déchets ménagers et il est de votre responsabilité d'en disposer de manière à en permettre le recyclage en vue d'une réutilisation correcte de ses ressources. Pour ce faire, apportez cet appareil dans un point de collecte approprié ou prenez contact avec le revendeur en cas de doute. Ce dernier peut vous aider à recycler le produit de manière sûre pour l'environnement.



N'utiliser qu'avec le panier, le support, le trépied, le crochet ou la table stipulés par le fabricant ou vendus avec l'appareil. Faire attention lors du déplacement d'un panier/appareil combiné afin d'éviter des blessures en cas de renversement si un panier est utilisé.

### Avertissement sur l'alimentation électrique:

1. Placez le produit à proximité de la prise électrique pour une utilisation facile.
2. Avant utilisation, assurez-vous que le voltage délivré par la prise murale soit bien compatible avec le produit. Vous pouvez consulter les informations de voltage sur l'étiquette présente sur le produit.
3. Pour des raisons de sécurité, débranchez l'appareil pendant les orages ou lors des périodes d'inutilisation prolongées.
4. L'alimentation peut chauffer en cours d'utilisation normale. Veuillez à ce que le lieu d'utilisation soit correctement ventilé et surveillez le produit.
5. L'étiquette du nom du produit et les étiquettes de sécurité sont situées sur le boîtier, sous le produit ou sur l'adaptateur secteur.



Ce symbole indique à l'utilisateur la présence de voltage dangereux non isolé à l'intérieur de l'appareil, qui pourrait être suffisant pour constituer un risque d'électrocution.



Ce symbole est présent pour indiquer que le produit ne doit pas être ouvert et qu'il ne contient aucun composant remplaçable par l'utilisateur. En cas de besoin de réparation, apportez le produit au centre de service agréé.



Ce symbole indique que le produit doit être utilisé uniquement en intérieur.


**AVERTISSEMENT !** Cette unité est un appareil de classe I, qui doit être branché à une prise murale équipée d'une fiche de mise à la terre de sécurité. La prise d'alimentation doit pouvoir à tout moment être facilement débranchée.

## Sommaire

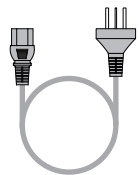
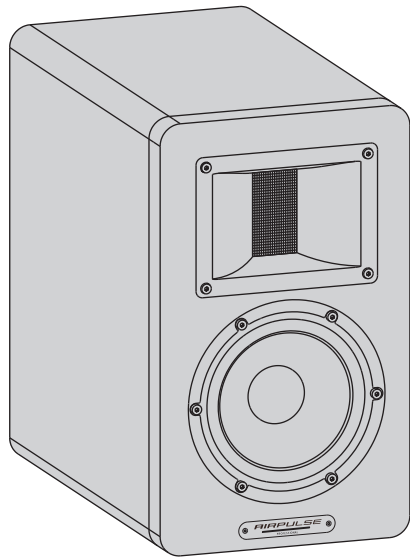
Contenu de la boîte .....	15
Positionnement des enceintes .....	16 - 18
Fonctionnement .....	19
Réglage de l'enceinte .....	20 - 21
Caractéristiques techniques/Informations supplémentaires .....	22



## Contenu de la boîte

 La boîte d'emballage du produit comprend les produits et accessoires suivants. Veuillez les vérifier après le déballage. En cas de divergence, veuillez nous contacter :

- Haut-parleur ×1
- Coussinet de pied ×5
- Câble d'alimentation ×1
- Manuel d'utilisateur ×1



Câble d'alimentation ×1



Manuel d'utilisateur ×1



Coussinet de pied ×5

Remarque: Les images utilisées servent de référence uniquement, et peuvent ne pas correspondre au produit.

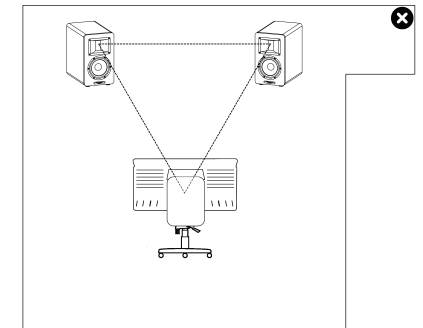
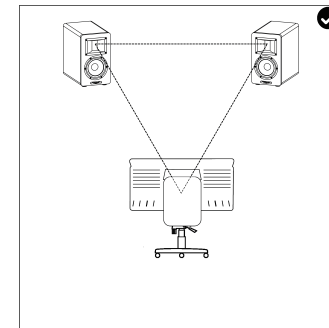
## Positionnement des enceintes

L'enceinte de contrôle SM200 occupe de petits espaces et peut être placée n'importe où dans la pièce. Pour obtenir un effet acoustique optimal, il est recommandé de placer l'enceinte dans la meilleure position possible.

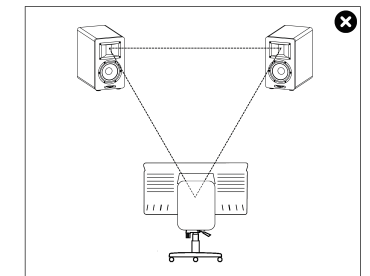
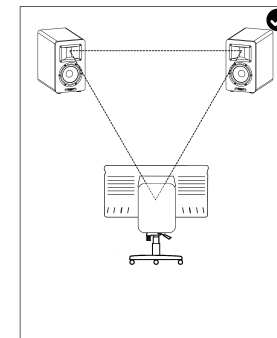
L'enceinte SM200 à champ proche doit être placée sur le support de l'enceinte, la table de mixage ou le bureau, qui est relativement proche de l'audience. Cela garantit que le son provenant directement de l'enceinte est plus fort que celui qui est réfléchi par le mur, le sol et le plafond.

Placez l'enceinte près de l'auditeur et suivez les instructions suivantes. L'enceinte fournira une référence précise pour le mixage et ne sera pas affectée par la réverbération, la pollution sonore et le silence de phase causé par l'espace.

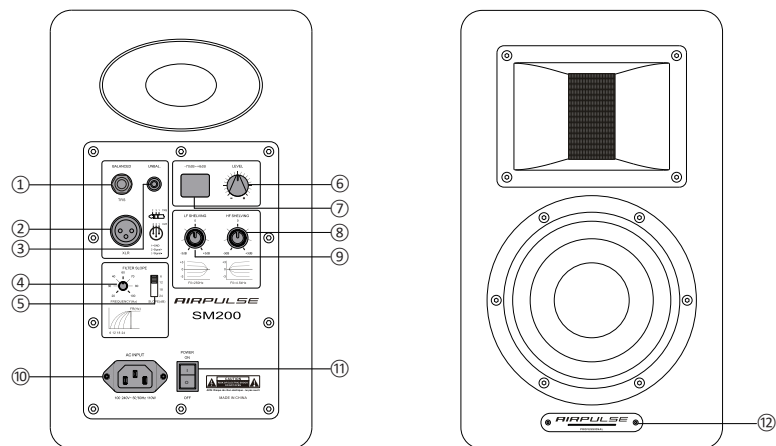
1. Pour contrôler la réponse en fréquence la plus équilibrée, l'enceinte doit être placée à l'extrémité symétrique si une extrémité de l'espace de placement est asymétrique.



2. Lorsque vous placez l'enceinte dans des espaces irréguliers, veuillez garder le mur arrière aussi loin que possible de l'auditeur, afin que le son provenant directement de l'enceinte soit plus fort que celui réfléchi par le mur arrière, ce qui minimise le son aigu et empêche de modifier la précision de l'enceinte de contrôle.







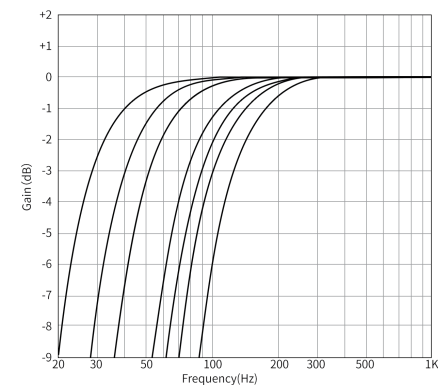
1. **Port d'entrée symétrique TRS**  
Entrée audio symétrique via le connecteur TRS.
2. **Port d'entrée symétrique XLR**  
Entrée audio symétrique via le connecteur XLR.
3. **Port d'entrée asymétrique RCA**  
Entrée du signal audio via le connecteur RCA asymétrique.
4. **FILTER: Filtre passe-haut**  
Réglez la fréquence de départ (comprise entre 20 et 100 Hz) du filtre passe-haut pour qu'elle corresponde aux changements de basse fréquence provoqués par les différentes tailles de pièces, ou pour qu'elle corresponde à la coupe basse du caisson de basse du système afin d'obtenir de meilleurs effets.
5. **SLOPE: Réglage de la pente du filtre passe-haut**  
La coopération bidirectionnelle du réglage de la pente du filtre passe-haut et du réglage de la fréquence de départ peut faciliter la connexion parfaite entre SM200 et le subwoofer dans le système.
6. **LEVEL cadran/bouton: sélection d'entrée / contrôle du volume**  
**Sélection d'entrée:** Appuyez pour passer du mode asymétrique au mode symétrique ;  
**Contrôle du volume:** Tournez dans le sens des aiguilles d'une montre pour augmenter le volume ; tournez dans le sens inverse des aiguilles d'une montre pour diminuer le volume ; de -70dB à +6dB ; Dans la plupart des cas, le «0 dB» sera optimal ; le +3dB correspond à une sensibilité d'entrée de +4 dBu (mode d'entrée symétrique) et -10 dBV (mode d'entrée asymétrique).

7. **Mode d'entrée / fenêtre d'affichage du volume**  
Affiche le mode d'entrée et le niveau de volume actuels.
8. **Réglage des hautes fréquences HF SHELIVING**  
La fréquence au-dessus de 4,5 kHz peut être augmentée ou diminuée dans la plage de +/- 3dB (la position « 0 » correspond à une réponse en fréquence plate) pour diminuer ou augmenter la luminosité du son afin d'obtenir une voix équilibrée et douce.
9. **Réglage des basses fréquences LF SHELIVING**  
La fréquence inférieure à 250 Hz peut être augmentée ou diminuée de +/- 3dB (la position « 0 » correspond à une réponse en fréquence plate) pour corriger ce niveau de fréquence qui doit être augmenté ou diminué en raison de facteurs liés à la pièce et au positionnement.
10. **Connecteur du cordon d'alimentation**  
Connecter à la prise du câble d'alimentation.
11. **Bouton d'alimentation**  
Allumer/éteindre le haut-parleur.
12. **Voyant d'alimentation**  
L'indicateur s'allume lorsqu'il est sous tension.

Le panneau arrière de l'enceinte de contrôle SM200 comporte un trimmer de son détaillé, qui peut être réglé en fonction des caractéristiques acoustiques de la pièce et des habitudes d'écoute personnelles.

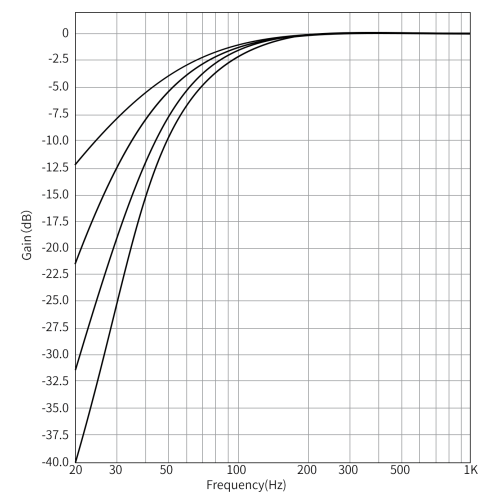
### Filtre passe-haut

Réglez la fréquence de départ (comprise entre 20 et 100 Hz) du filtre passe-haut pour qu'elle corresponde aux changements de basse fréquence provoqués par les différentes tailles de pièces, ou pour qu'elle corresponde à la coupe basse du caisson de basse du système afin d'obtenir de meilleurs effets.



### Réglage de la pente du filtre passe-haut

Avec les réglages du CROSSOVER du caisson de basse, la fréquence de départ du filtre passe-haut de l'enceinte SM200 peut être réglée pour se connecter avec elle, et la pente du filtre passe-haut peut être ajustée pour éviter la dégradation de la qualité sonore causée par la forme en V ou la saillie de la réponse en fréquence.



## Réglage de l'enceinte

### Réglage des basses fréquences LF SHELIVING et des hautes fréquences HF SHELIVING

L'enceinte SM200 peut augmenter ou diminuer les basses et les hautes fréquences de +/- 3dB respectivement (la position « 0 » correspond à une réponse en fréquence plate). Si elle a été placée dans la meilleure position, elle peut obtenir le son le plus équilibré lorsque les fréquences basses et hautes sont réglées sur « 0 ».

### Un réglage des basses fréquences est nécessaire dans les cas suivants

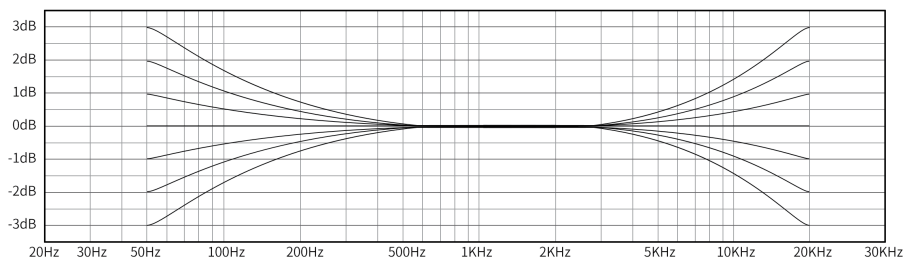
S'il est nécessaire de placer l'enceinte de contrôle à moins de 0,4 m du mur en raison de la disposition de l'espace, réglez-la sur la position « -1/-2/-3 dB » pour équilibrer les basses fréquences naturellement amplifiées.

Si vous souhaitez écouter l'enceinte de contrôle avec une grande réponse dans les graves, réglez-le sur la position « +1/+2/+3 dB ».

### Un réglage des hautes fréquences est nécessaire dans les cas suivants

Si l'espace est composé de nombreux matériaux absorbant les sons, tels que de la mousse ou des panneaux muraux en fibre de verre, les sons à haute fréquence peuvent être atténués acoustiquement, ce qui donne un son terne. Dans ce cas, réglez-la sur la position « +1/+2/+3 dB » pour rétablir les détails des hautes fréquences.

Si l'enceinte se trouve dans une pièce où les sons sont particulièrement actifs, brillants et aigus, réglez-la sur la position « -1/-2/-3 dB » pour équilibrer l'effet acoustique de la pièce.



## Caractéristiques techniques/Informations supplémentaires

### Transducteurs:

Tweeter: Tweeter à ruban chargé dans le pavillon et doté d'un aimant en néodyme High-Gauss.

Haut-parleur des moyens-basses: "LONG THROW" Haut-parleur des moyens-basses cône en aluminium de 5,25 pouces

### Système:

Réponse en fréquence (+/- 3dB): 45Hz - 40kHz

SPL de crête maximum à 1M par paire : 104dB SPL

Fréquence de crossover (Basses/Aigus): 2,5kHz

### Amplificateur:

Amplificateur de classe D + DSP à 2 voies (Bi-Amp)

Puissance de sortie: 65W pour le Woofer, 15W pour le Tweeter

Plage de contrôle du niveau d'entrée : -70dB à +6dB

### Sensibilité d'entrée:

XLR/TRS +4dBu (à 3dB)

RCA -10dBV (à 3dB)

### Entrées audio:

Entrée symétrique XLR 10Kohm

Entrée symétrique TRS 10Kohm

Entrée asymétrique RCA 10Kohm

### Ajustement:

Trimmer des aigus : Filtre plateau 4,5kHz +/-3dB

Trimmer des basses : Filtre plateau 250Hz +/-3dB

Filtre passe-haut/Pente: 20-100Hz, 3dB-12dB

Dimension du produit (L x H x P): 185 x 315 x 318 mm

Poids du produit : 8,4 kg (18.5 livres)

AVIS: Pour les besoins du progrès technique et la mise à niveau du système, les informations contenues dans ce document peuvent être sujets à changements à tout moment sans préavis.